

По вопросам продаж и поддержки обращайтесь: btn@nt-rt.ru

www.bently.nt-rt.ru

Архангельск (8182)63-90-72,
Астана+7(7172)727-132,
Белгород(4722)40-23-64,
Брянск(4832)59-03-52,
Владивосток(423)249-28-31,
Волгоград(844)278-03-48,
Вологда(8172)26-41-59,
Воронеж(473)204-51-73,
Екатеринбург(343)384-55-89
, Иваново(4932)77-34-06,
Ижевск(3412)26-03-58,
Казань(843)206-01-48,
Калининград(4012)72-03-81,
Калуга(4842)92-23-67,
Кемерово(3842)65-04-62,
Киров(8332)68-02-04,

Краснодар(861)203-40-90,
Красноярск(391)204-63-61,
Курск(4712)77-13-04,
Липецк(4742)52-20-81,
Магнитогорск(3519)55-03-13,
Москва(495)268-04-70,
Мурманск(8152)59-64-93,
Набережные Челны(8552)20-53-41
, Нижний Новгород(831)429-08-12,
Новокузнецк(3843)20-46-81,
Новосибирск(383)227-86-73,
Орел(4862)44-53-42,
Оренбург(3532)37-68-04,
Пенза(8412)22-31-16,
Пермь(342)205-81-47,
Ростов-на-Дону(863)308-18-15,

Рязань(4912)46-61-64,
Самара(846)206-03-16,
Санкт-Петербург(812)309-46-40,
Саратов(845)249-38-78,
Смоленск(4812)29-41-54,
Сочи(862)225-72-31,
Ставрополь(8652)20-65-13,
Тверь(4822)63-31-35,
Томск(3822)98-41-53,
Тула(4872)74-02-29,
Тюмень(3452)66-21-18,
Ульяновск(8422)24-23-59,
Уфа(347)229-48-12,
Челябинск(351)202-03-61,
Череповец(8202)49-02-64,
Ярославль(4852)69-52-93

Описание на внутренние модули . Модель 170172



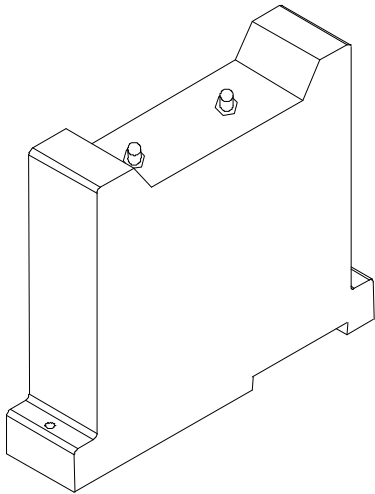
BENTLY
Nevada

170172 FieldMonitor™ Internal 7200 Proximator® Module

Bently Nevada™ Asset Condition Monitoring

Description

The 170172 Internal 7200 Proximator Module is a dual Proximator module that will work with any standard 7200 series 5mm or 8mm probe in 5m and 9m system lengths. This module's dual internal Proximator sensors eliminate the need for external Proximator sensors, and allow direct connection of up to two proximity probes and their associated extension cables.



Specifications and Ordering Information
Part Number 141482-01
Rev. D (11/08)

Specifications

Unless otherwise noted, the following specifications are for a proximity transducer system at +22°C (+72°F) with a -24 Vdc power supply, a 10 kΩ load, a GE supplied AISI 4140 steel target and a probe gapped at 1.27 mm (50 mils). Typical is defined as 90% of the devices built meeting the specification. The calibration range is 250 μm (10 mil) to 2250 μm (90 mil), (Approximately -1 to -17 Volt dc).

Incremental Scale Factor:

7.87 mV/μm (200 mV/mil)
±6.5% including interchangeability error when measured in increments of 0.25 mm (10 mils) over the linear range.

Deviation from best fit straight line (DSL):

Less than ±38 μm (±1.5 mil) deviation from best fit straight line.

Minimum Target Size:

15.2 mm (0.6 inch) diameter (flat target).

Shaft Diameter:

Minimum: 50.8 mm (2 inches).

Recommended minimum:

76.2 mm (3 inches). With XY probes in the same plane, shaft diameters smaller than 50.8 mm (2 inches) will experience electrical noise due to crosstalk.

Proximity Sensor

Weight:

353 g (12.7 oz)

Storage Temperature:

-40°C to +85°C (-40°F to +185°F)

Operating Temperature:

-35°C to +85°C (-30°F to +185°F)

Relative Humidity:

100% condensing non-submerged from +7°C to +85°C (+45°F to +185°F) when connectors are protected.

Intrinsic safety:

The 1701 Proximity Sensor is designed to be used only with the 1701 Internal Galvanic Isolator.

Hazardous Area Approvals

-00 Approvals Ordering Option


North America

Ex nA IIC T4
Class I, Zone 2
Class I, Div 2
Groups A, B, C, D
T4 @ -30°C = Ta = +70°C
per dwg 139255

Certification Number

CSA 1166985

European/ATEX

 II 3G EEx nA [L] IIC T4
LCIE 00ATEX6016X
T4 @ -30°C = Ta = +70°C

Brazil

Br-Ex nA [nL] IIC T4
MC, AEX-8304-X
T4 @ -30°C = Ta = +70°C

-05 Approvals Ordering Option

North America

Ex nA [ia] IIC T4
Class I, Zone 2(0)
Class I, Div 2


Specifications and Ordering Information
Part Number 141482-01
Rev. D (11/08)

Groups A, B, C, D
T4 @ -30°C = Ta = +70°C
per dwg 141265

Certification
Number

CSA 1166985

European/ATEX

 II 1/3 G EEx nA[ia] ia IIC T4
LCIE 00ATEX6017X
T4 @ -30°C = Ta = +70°C

Probe

Probe dc
resistance
(nominal)
(R_{PROBE}):

3.3 Ω +0.79 Ω /m (0.24 Ω /ft).

Connector
torque
requirement:

0.565 N•m (5 in•lb.) minimum
(approximately 1/8 turn past
finger tight)

Minimum Cable
Bend Radius:

25.4 mm (1.0 in)

Probe
Temperature
Range:

-35°C to +177°C (-31°F to +351°F)

Relative
Humidity:

95% non-condensing non-
submerged from +2°C to +100°C
(+35°F to +212°F) when
connectors are protected.

Extension Cable

Cable dc
resistance,
nominal:

Center
conductor
(R_{CORE}):

0.74 Ω /m (0.23 Ω /ft)

Shield (R_{JACKET}):

0.06 Ω /m (0.02 Ω /ft)

Capacitance:

59.5 pF/m (15.4 pF/ft)

Temperature
Range:

-51°C to +177°C (-60°F to +351°F)

Ordering Information

Internal 7200 Series Proximito[®] Module
170172-XXX-XX

A: Proximito Type

050 7200 Internal Dual 5-metre
Proximito Sensor
090 7200 Internal Dual 9-metre
Proximito Sensor

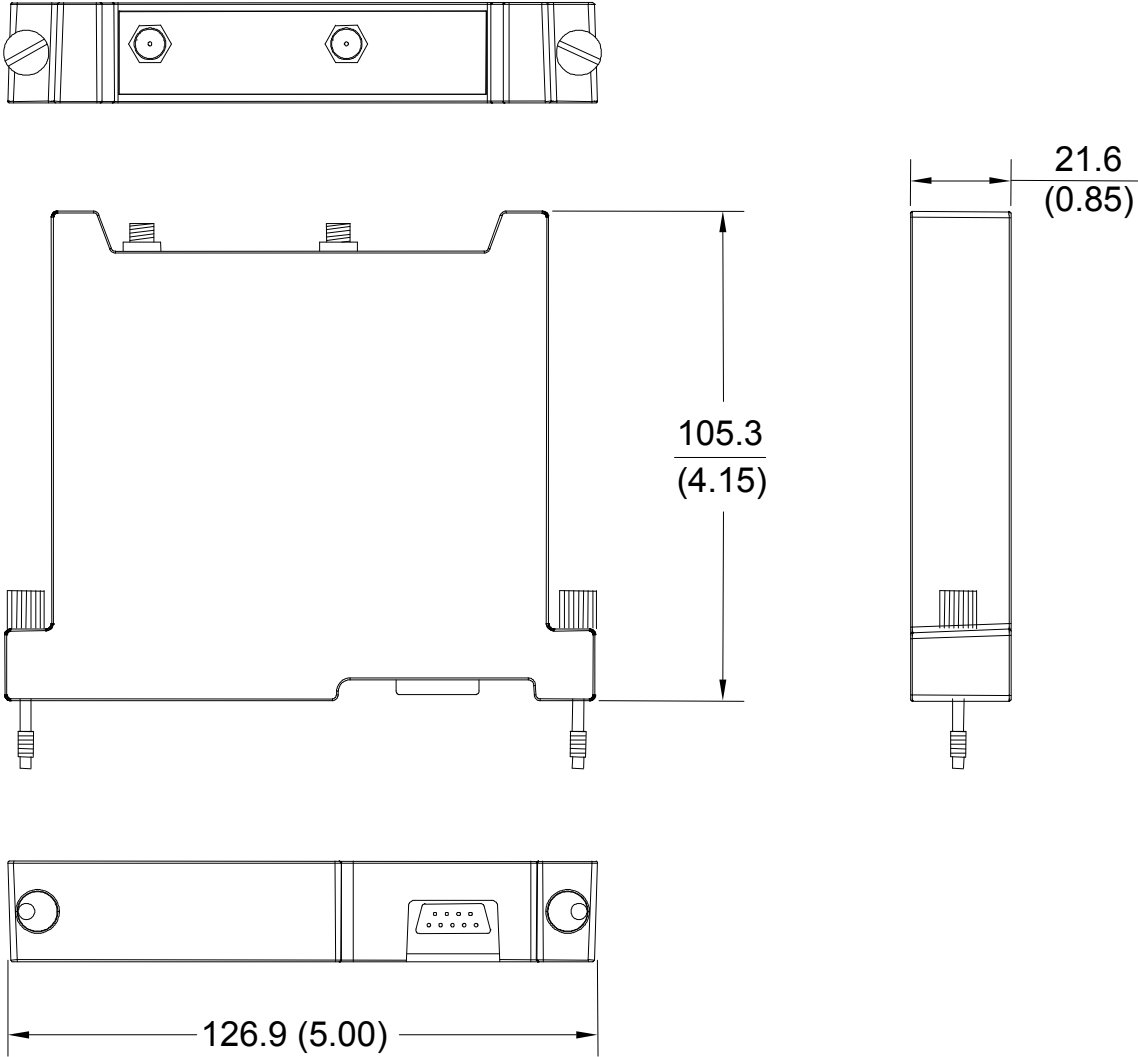
B: Hazardous Area Approval

Use the **05** option in the 1701/06 Isolator Terminal Base

00 Division 2/Zone 2
05 Division 2/Zone 2 for Monitor
**Division 1, Zone 0/1 for
Transducers**

Note: For 7200 5 mm and 8 mm proximity probes
and their associated extension cables, contact your
sales professional.

Dimensional Drawing



Dimensions are in millimetres (inches)

Performance Graphs

170172 Internal 7200 Proximitor Module

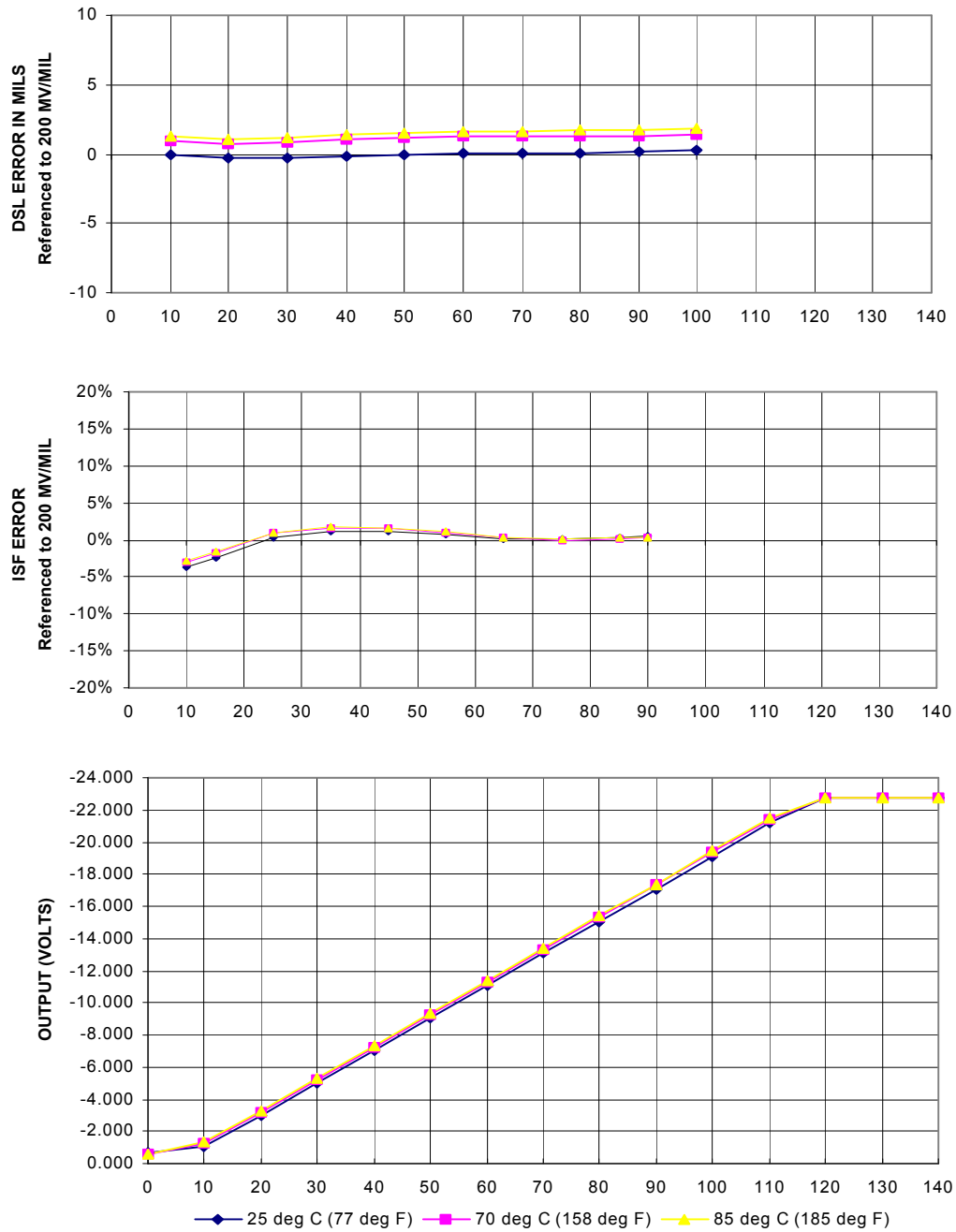


Figure 1: 5-metre Proximitor and 4-metre (13.1 feet) cable at high temperature

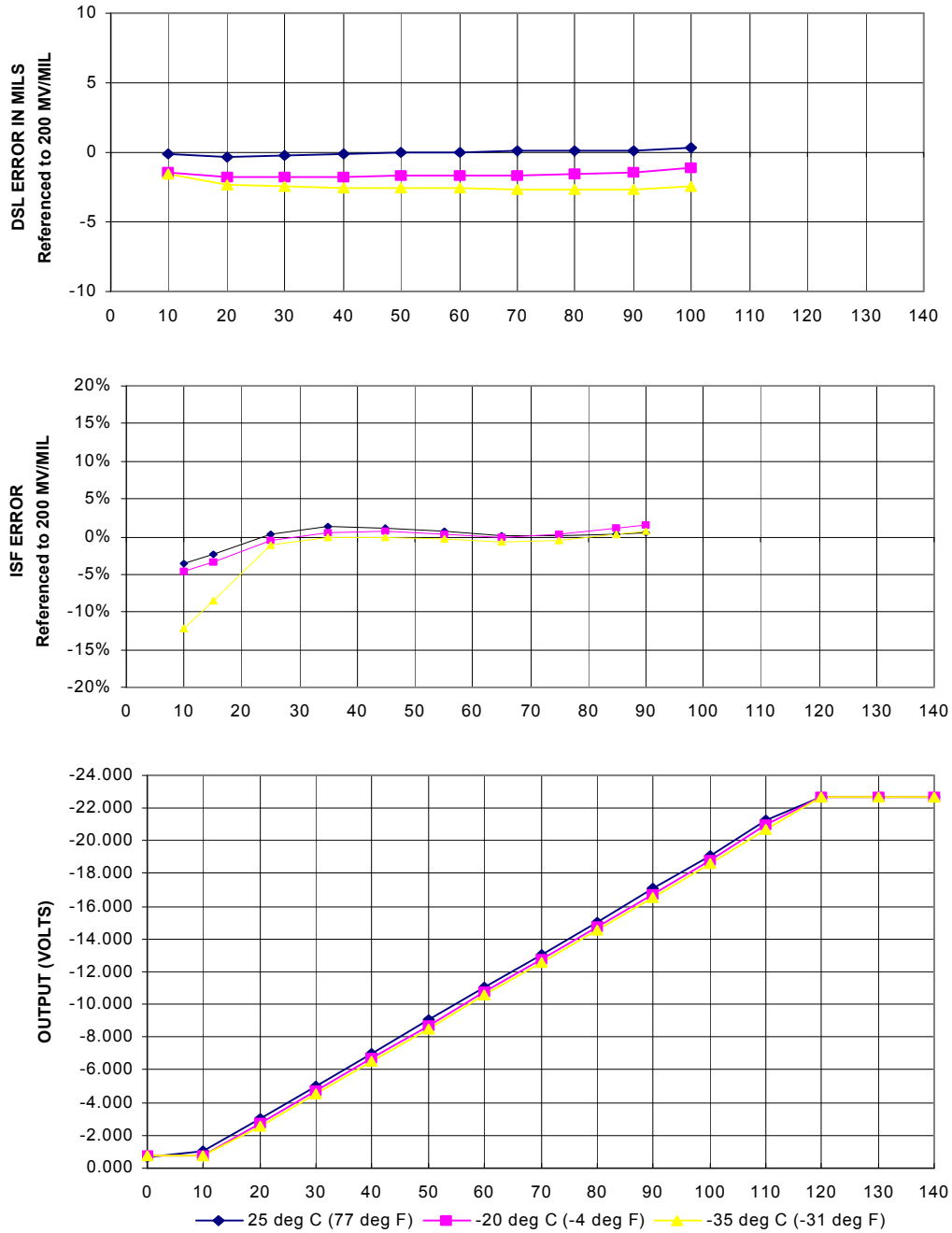


Figure 2: 5-metre Proximitor and 4-metre (13.1 feet) cable at low temperature

По вопросам продаж и поддержки обращайтесь: btn@nt-rt.ru

www.bently.nt-rt.ru

Архангельск (8182)63-90-72,
Астана+7(7172)727-132,
Белгород(4722)40-23-64,
Брянск(4832)59-03-52,
Владивосток(423)249-28-31,
Волгоград(844)278-03-48,
Вологда(8172)26-41-59,
Воронеж(473)204-51-73,
Екатеринбург(343)384-55-89
, Иваново(4932)77-34-06,
Ижевск(3412)26-03-58,
Казань(843)206-01-48,
Калининград(4012)72-03-81,
Калуга(4842)92-23-67,
Кемерово(3842)65-04-62,
Киров(8332)68-02-04,

Краснодар(861)203-40-90,
Красноярск(391)204-63-61,
Курск(4712)77-13-04,
Липецк(4742)52-20-81,
Магнитогорск(3519)55-03-13,
Москва(495)268-04-70,
Мурманск(8152)59-64-93,
Набережные Челны(8552)20-53-41
, Нижний Новгород(831)429-08-12,
Новокузнецк(3843)20-46-81,
Новосибирск(383)227-86-73,
Орел(4862)44-53-42,
Оренбург(3532)37-68-04,
Пенза(8412)22-31-16,
Пермь(342)205-81-47,
Ростов-на-Дону(863)308-18-15,

Рязань(4912)46-61-64,
Самара(846)206-03-16,
Санкт-Петербург(812)309-46-40,
Саратов(845)249-38-78,
Смоленск(4812)29-41-54,
Сочи(862)225-72-31,
Ставрополь(8652)20-65-13,
Тверь(4822)63-31-35,
Томск(3822)98-41-53,
Тула(4872)74-02-29,
Тюмень(3452)66-21-18,
Ульяновск(8422)24-23-59,
Уфа(347)229-48-12,
Челябинск(351)202-03-61,
Череповец(8202)49-02-64,
Ярославль(4852)69-52-93



BENTLY
Nevada