

По вопросам продаж и поддержки обращайтесь: btn@nt-rt.ru

www.bently.nt-rt.ru

Архангельск (8182)63-90-72,
Астана+7(7172)727-132,
Белгород(4722)40-23-64,
Брянск(4832)59-03-52,
Владивосток(423)249-28-31,
Волгоград(844)278-03-48,
Вологда(8172)26-41-59,
Воронеж(473)204-51-73,
Екатеринбург(343)384-55-89
, Иваново(4932)77-34-06,
Ижевск(3412)26-03-58,
Казань(843)206-01-48,
Калининград(4012)72-03-81,
Калуга(4842)92-23-67,
Кемерово(3842)65-04-62,
Киров(8332)68-02-04,

Краснодар(861)203-40-90,
Красноярск(391)204-63-61,
Курск(4712)77-13-04,
Липецк(4742)52-20-81,
Магнитогорск(3519)55-03-13,
Москва(495)268-04-70,
Мурманск(8152)59-64-93,
НабережныеЧелны(8552)20-53-41
, НижнийНовгород(831)429-08-12,
Новокузнецк(3843)20-46-81,
Новосибирск(383)227-86-73,
Орел(4862)44-53-42,
Оренбург(3532)37-68-04,
Пенза(8412)22-31-16,
Пермь(342)205-81-47,
Ростов-на-Дону(863)308-18-15,

Рязань(4912)46-61-64,
Самара(846)206-03-16,
Санкт-Петербург(812)309-46-40,
Саратов(845)249-38-78,
Смоленск(4812)29-41-54,
Сочи(862)225-72-31,
Ставрополь(8652)20-65-13,
Тверь(4822)63-31-35,
Томск(3822)98-41-53,
Тула(4872)74-02-29,
Тюмень(3452)66-21-18,
Ульяновск(8422)24-23-59,
Уфа(347)229-48-12,
Челябинск(351)202-03-61,
Череповец(8202)49-02-64,
Ярославль(4852)69-52-93

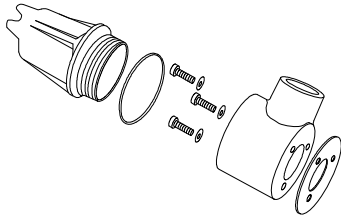
Описание на системы крепления акселерометров. Модель 43217-AA



BENTLY
Nevada

Accelerometer Mounting Kit

Bently Nevada* Asset Condition Monitoring



Description

The Accelerometer Mounting Kit protects an accelerometer from adverse physical and environmental conditions. The mounting kit's rugged design is both water-tight and dust resistant.

The mounting kit is available in three configurations to house various accelerometers. All kits consist of a flat cover with a housing base, a set of three 1/4-in 20 UNC x 0.62 mounting screws with lock washers, a cable grip, an O-ring, and a gasket. One configuration adds an optional dome cover. Another configuration adds an optional extension and an optional dome cover. All kit designs mate with 12-mm (1/2-in) flexible or rigid conduit. Properly installed kits, using an accelerometer mounting base and rigid or flexible conduit, meet API 670 requirements. The conduit is ordered as an accessory. The mounting base is an accessory with the 23732, 330400 and 330425. Prior to mounting, the machine surface where the housing will be installed must be spot faced.

An optional 303 stainless steel accelerometer mounting kit for extra protection in corrosive environments is also available. It can be ordered under part number 164952-AA-BB. **NOTE:** Dimensions for the 303 stainless kit are not listed. Refer to drawing 164952.

Specifications

Materials

Flat Cover:

"Copper free" aluminum

Dome Cover:

"Copper free" aluminum

Extension

"Copper free" aluminum

Housing Base:

Feraloy®

Gasket and O-ring:

Neoprene

Outlet Port Size:

1/2-in 14 NPT

Weight

With flat cover:

320 g (11 oz)

With dome cover

600 g (21 oz)

With dome cover and extension

737 g (26 oz)

Installation

Instructions:

See Manual 43231-01

(included with kit.)

Ordering Information

Accelerometer Mounting Kit

43217-AA

Option description

- | | |
|-----------|--|
| 00 | Kit with flat cover for the 24147-01 Accelerometer |
| 01 | Kit with both flat and dome covers for the 23732-01 Accelerometer |
| 02 | Kit with optional extension and both flat and dome covers for the 330400 and 330425 Accelerometers |

1/2-inch Sealtite® flexible conduit

14847-AA

Option Description

Assembly Length Option

Order in increments of 1 foot.

Minimum Length: 0 1 = 1 ft

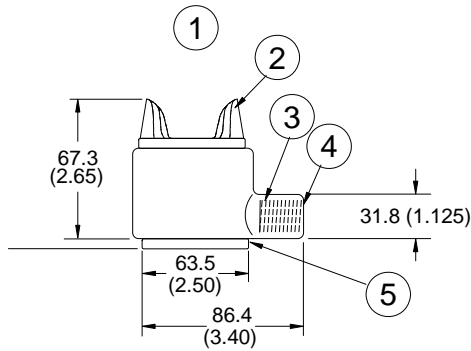
Maximum Length: 9 9 = 99 ft

Example: 1 2 = 12-foot assembly.

37439-01

Accelerometer mounting base for the 23732-01

Dimensional Drawings



- 1) Side view
- 2) Standard flat cover
- 3) 1/2-14 NPT
- 4) Cable grip
- 5) Gasket, 3.2 (0.12)
- 6) Bottom view
- 7) Holes 7.14 (0.28) diameter, 3 places equally spaced on a 39.6 (1.56) diameter, base circle 28.58 (1.125) diameter

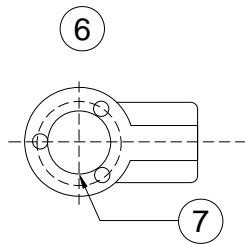
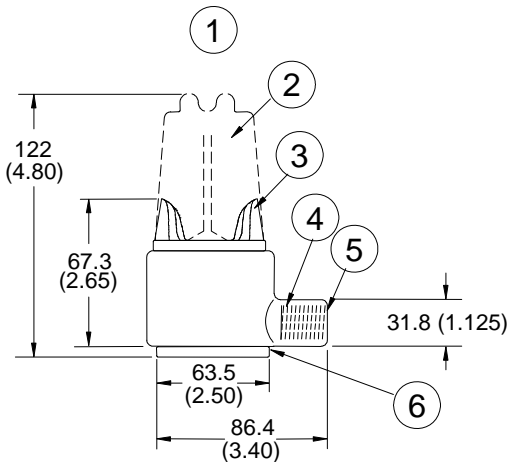


Figure 1: 43217-00 Accelerometer Mounting Kit Dimensions

Dimensions are in millimetres (inches)



- 1) Side view
- 2) Optional dome cover
- 3) Standard flat cover
- 4) 1/2-14 NPT
- 5) Cable grip
- 6) Gasket, 3.2 (0.12)
- 7) Bottom view
- 8) Holes 7.12 (0.28) diameter, 3 places equally spaced on a 39.6 (1.56) diameter, base circle 28.58 (1.125) diameter

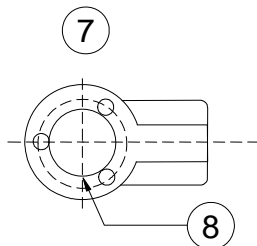
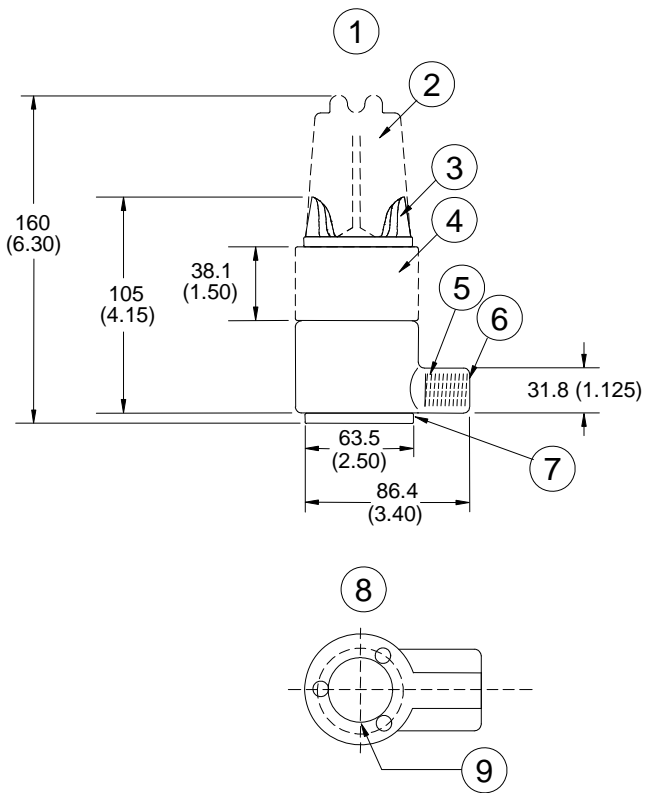


Figure 2: 43217-01 Accelerometer Mounting Kit Dimensions

Dimensions are in millimetres (inches)



- 1) Side view
- 2) Optional dome cover
- 3) Standard flat cover
- 4) Optional extension
- 5) 1/2-14 NPT
- 6) Cable grip
- 7) Gasket, 3.2 (0.12)
- 8) Bottom view
- 9) Holes 7.14 (0.28) diameter, 3 places equally spaced on a 39.6 (1.56) diameter, base circle 28.58 (1.125) diameter

Figure 3: 43217-02 Accelerometer Mounting Kit Dimensions
 Dimensions are in millimetres (inches)

По вопросам продаж и поддержки обращайтесь: btn@nt-rt.ru

www.bently.nt-rt.ru

Архангельск (8182)63-90-72,
Астана+7(7172)727-132,
Белгород(4722)40-23-64,
Брянск(4832)59-03-52,
Владивосток(423)249-28-31,
Волгоград(844)278-03-48,
Вологда(8172)26-41-59,
Воронеж(473)204-51-73,
Екатеринбург(343)384-55-89
, Иваново(4932)77-34-06,
Ижевск(3412)26-03-58,
Казань(843)206-01-48,
Калининград(4012)72-03-81,
Калуга(4842)92-23-67,
Кемерово(3842)65-04-62,
Киров(8332)68-02-04,

Краснодар(861)203-40-90,
Красноярск(391)204-63-61,
Курск(4712)77-13-04,
Липецк(4742)52-20-81,
Магнитогорск(3519)55-03-13,
Москва(495)268-04-70,
Мурманск(8152)59-64-93,
Набережные Челны(8552)20-53-41
, Нижний Новгород(831)429-08-12,
Новокузнецк(3843)20-46-81,
Новосибирск(383)227-86-73,
Орел(4862)44-53-42,
Оренбург(3532)37-68-04,
Пенза(8412)22-31-16,
Пермь(342)205-81-47,
Ростов-на-Дону(863)308-18-15,

Рязань(4912)46-61-64,
Самара(846)206-03-16,
Санкт-Петербург(812)309-46-40,
Саратов(845)249-38-78,
Смоленск(4812)29-41-54,
Сочи(862)225-72-31,
Ставрополь(8652)20-65-13,
Тверь(4822)63-31-35,
Томск(3822)98-41-53,
Тула(4872)74-02-29,
Тюмень(3452)66-21-18,
Ульяновск(8422)24-23-59,
Уфа(347)229-48-12,
Челябинск(351)202-03-61,
Череповец(8202)49-02-64,
Ярославль(4852)69-52-93



BENTLY
Nevada